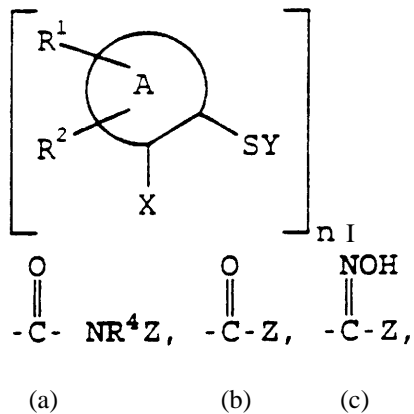


97-0135

The invention refers to new chemical compounds, namely, to the arylthiols and arylsulphides which may be used in medicine for bacterial and viral infections treatment, for inhibition of growth and replication of retroviruses.

There are claimed compounds of general formula (I):



(I)

where A is a monocyclic or bicyclic aryl, which may contain up to 3 heteroatoms selected of O, S and N, R¹ and R² being substituting groups, X is (a), (b), (c) or SO₂NR⁴, Y is H or SZ, where n = 1 or a double bond, where n = 2, R⁴ and Z may be hydrogen or alkyl.