

97-0293

The invention relates to the field of the post-harvesting leaf tobacco processing and may be used for natural drying of the fresh harvested tobacco leaves, disposed on the cords, needles or otherwise, providing the free air access to the leaves.

The summary of the invention consists in the fact that in the structure for tobacco natural drying, containing pillars (1) supporting the gable roof (2), the contrivance (4) arrangement for tobacco leaves (6), the roof is manufactured in form of the gables disposed in the different levels, and the upper gable has an fold which overlaps the lower one forming the ventilation gap and the pillars (1) are manufactured with the possibility of height regulation.

The technical result consists in the creation of the natural reversible ventilation system and in decreasing the planning works at the installing the structure on the locality.

Claims: 1

Fig.: 3

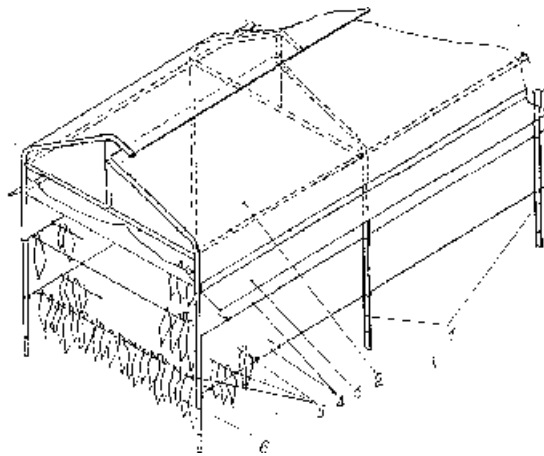


Fig. 1