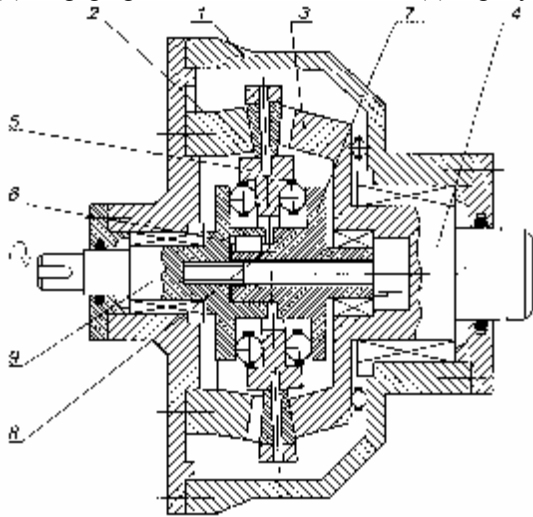


The precession planetary transmission relates to the field of mechanical transmissions.

The precession planetary transmission includes a body (1), wherein there are placed a central gear-wheel (2), rigidly fixed into the body (1), and a gear-wheel (3), fixed onto a driven shaft (4). Between the wheels (2) and (3) it is placed a satellite gear (5) with rollers, set in precession motion by the inclined sides (6) and (7) of a precession generator (8), rigidly fixed onto a drive shaft (9), the rotary motion of which is transformed into precession motion of the satellite gear (5), engaging into mesh with the wheel (3), rigidly joined with the driven shaft (4).



Claims: 4

Fig.: 7